

LNRT Series:- Side Mount Under Counter Solid Door Refrigerators



LNRT-1B-900



LNRT-2B-1200



LNRT-2B-1500



LNRT-3B-1800

FEATURES:

High quality stainless steel interior and exterior that helps minimize dents, scratches and rust and offers long-life durability and easy maintenance.

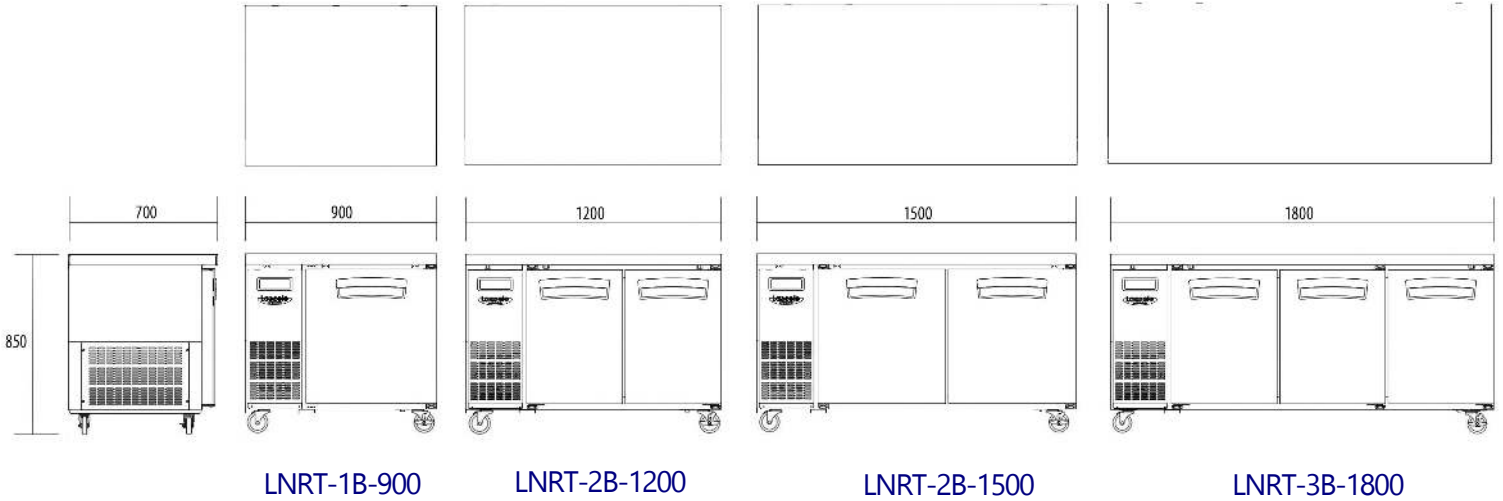
- Only requires one a standard power point (GPO):- 240V 50Hz 10 amp.
- Digital Temperature Display.
- 1 height adjustable shelves per door. Individual.
- Stainless Steel internal floor with covered corners allows for easy cleaning and sanitizing.
- 50mm high pressure injected polyurethane foam.
- Extra Large castors, for ease of cabinet movement.
- Solid Door, Designed with ergonomic recessed handle. Self closing with dwell open design for ease of use.
- Heavy duty one piece gasket, replaceable without tools.
- Easy access to the condensing unit from the front and the side.
- Automatic condensate disposal. No drainage required.

MAIN DATA

Specifications are subject to change without notice. E&OE.

Model	Doors	Volume (Gross lts)	Shelves	Dimensions W x D x H (mm)	Voltage	Amps	Cord Length	Shipping Weight
LNRT-1B-900	1	213	1	900 x 700 x 850	220v/50hz	1.54	2.4	71kg
LNRT-2B-1200	2	300	2	1200 x 700 x 850	220v/50hz	2.25	2.4	104kg
LNRT-2B-1500	2	410	2	1500 x 700 x 850	220v/50hz	2.4	2.4	144kg
LNRT-3B-1800	3	521	3	1800 x 700 x 850	220v/50hz	3.71	2.4	169kg

MODEL ELEVATIONS



PRODUCT SPECIFICATIONS

Model	LNRT-1B-900	LNRT-2B-1200	LNRT-2B-1500	LNRT-3B-1800
External Dimensions (mm)	900w x 700d x 850h	1200w x 700d x 850h	1500w x 700d x 850h	1800w x 700d x 850h
Shipping Dimensions	910w x 717d x 901h	1220w x 717d x 901h	1520w x 717d x 901h	1855w x 717d x 901h
Net Weight (kg)	65	80	90	110
Gross Weight (kg)	67	82	94	112
Net Volume (L)	213	300	411	521
Inner Temperature	0° ~ 7°C @ 40°C Ambient			
Doors	1	2	2	3
No. of Shelves	1	2	2	3
Refrigerant	R134A			
Compressor (HP)	1/4 hp	1/4hp	1/4hp	1/3hp
Cooling Type	Fan Forced	Fan Forced	Fan Forced	Fan Forced
Defrost	Auto with timer			
Insulation Type	Polyurethane. Blowing agent Cyclopentane			
Temperature Control Type	Solid state with digit display			
Rated Input (W)@ 220V/50hz	200	200	220	220
No. Of Casters	4 x Swivel (2 Braking)			

Specifications are subject to change without notice. E&OE.

SHAMROCK



by

Austwide
sales and rentals pty ltd

AS:- Gastronorm Compact Counter Series



AS401 SS Top



AS901 SS Top



AS901-4D



AS903 SS Top

AS Series

FEATURES:

- SHAMROCK 's CHEF PREP COUNT-ERS are designed with the commercial kitchen in mind. 1/1 Gastronorm sizing.
- Operating Temperature 0° to -10° C. Climate Type T.
- Requires a standard power point (GPO):- 240V 50Hz 10 amp.
- Digital Temperature Display.
- 1 height adjustable shelf per door fitted on tray slides in swing door variations.
- Draws can be fitted to replace swing doors Draw depth - 140mm.
- Stainless steel doors and outer sides.
- Stainless Steel inner walls and clear anodized aluminium outer back.
- Stainless steel internal floor with coved corners allows for easy cleaning and sanitizing.
- Commercial castors, for ease of cabinet movement. Front castors lockable.
- Solid Door, designed with one piece full length horizontal handle.

MAIN DATA

Specifications are subject to change without notice. E&OE.

Model	Doors	Draws	Volume (Gross lts)	Shelves	Width (mm)	Depth (mm)	Height (mm)	Voltage	Cord Length	Shipping Weight
AS401 S/S Top	1	-	94	1	435	700	930	240v/50hz	2.4	45kg
AS401-2D	-	2	94	-	435	700	930	240v/50hz	2.4	50kg
AS901 S/S TOP	2	-	260	2	900	700	930	240v/50hz	2.4	85kg
AS901-4D	-	4	260	-	900	700	930	240v/50hz	2.4	95kg
AS903 S/S TOP	3	-	390	3	1365	700	930	240v/50hz	2.4	110Kg

Head Office: Unit 1/35 Rimfire Drive ,Hallam, Vic 3803. Phone: 1800 813 987 Fax: 03 8786 3572
Email: sales@austwiderentals.com websites: www.austwidesales.com.au or austwiderentals.com

SHAMROCK



by

Austwide
sales and rentals pty ltd

AS:- Gastronorm Compact Counter Series

Outstanding Benefits

- Fitted with full width doors, offering maximized face area for storing your inventory. This allows increased visibility and hence ergonomic picking of inventory.

Specification

- **Refrigeration System:** Fully balanced self contained condensing unit. Cold Wall internal evaporator fan assisted.
- **Condensing unit:** Located under. Unit access from front and rear of cabinet, Condenser fitted with filter accessible from front.
- **Refrigerant:** R134A.
- **Defrost:** Semi-auto with timer.
- **Electronic Controller:** Italian designed, Dixell temperature controller and digital display. Includes high temp alarm.
- **Shelves:** 1 height adjustable, PVC coated, shelf per door.
- **Operation conditions:** 0° to – 10° C. at up to 38° C ambient.
- **Electrical:** Units come ready for connection to 240volt 50hz 10amp GPO. Single Outlet. It is recommended that a dedicated

GPO be used.

- **Construction:** Stainless Steel doors, front and sides provide a clean and dent resistant cabinet. Clear anodized aluminum back. Interior stainless steel for hygienic easy to clean surfaces.
- Stainless Steel inner tray designs with coved corners for easy cleaning.
- **Insulation:** 50mm high density polyurethane foamed in place, Blowing agent, Cyclopentane for CFC free Ozone protection and superior insulating properties.
- **Door:** Solid Stainless Steel outer, 50mm high pressure injected polyurethane foam. Designed with folded full length horizontal handle provides easy access.
Gasket: PVC welded one piece magnetic gasket removable without the need for tools.
- **Draws:** Two draws replacing door. Stainless steel fascia with gasket. Full stainless steel cage 140mm deep accepts a 1/1 gastronorm tray or combination of small trays.
- **Warranty¹:** Austwide's Manu-

facturers warranty 12 month parts and labour. See terms and conditions of sale for full description.

1.terms and conditions apply. Visit web site for full details. www.austwidesales.com.au
Specifications are subject to change without notice. E&OE.



AS401 SS Top



AS901-4D



AS903 SS Top

Head Office: Unit 1/35 Rimfire Drive ,Hallam, Vic 3803. Phone: 1800 813 987 Fax: 03 8786 3572
Email: sales@austwiderentals.com websites: www.austwidesales.com.au or austwiderentals.com

SHAMROCK



by

Austwide
sales and rentals pty ltd

GFG:- GLASS DOOR 1/1 GASTRONORM BENCH REFRIGERATOR SERIES



GFG1365G



GFG1800G



GFG2200G

GFGSeries

FEATURES:

- SHAMROCK 's GFG Glass Door Refrigerators are designed to accept 1/1 gastronorm trays.
- Operating Temperature 0° to +5° C. Climate Type N.
- Only requires one a standard power point (GPO):- 240V 50Hz 10 amp.
- Digital Temperature Display.
- 1 height adjustable shelf per door.
- Stainless steel fascia and outer sides and clear anodized aluminum outer back..
- Stainless Steel inner.
- Stainless Steel work top with bull nose front edge.
- Internal floor with coved corners allows for easy cleaning and sanitizing.
- Extra Large castors, for ease of cabinet movement.
- Double Glazed Glass Door, Designed with horizontal handle and self closing torsion bar hinging.

MAIN DATA

Specifications are subject to change without notice. E&OE.

Model	Doors	Volume (Gross lts)	Shelves	Width (mm)	Depth (mm)	Height (mm)	Voltage	Power Outlet	Cord Length	Shipping Weight
GFG1365G	2	314	2	1365	700	860	240v/50hz	10amp	2.4	113kg
GFG1800G	3	465	1	1795	700	860	240v/50hz	10amp	2.4	151kg
GFG2200G	4	616	1	2230	700	860	240v/50hz	10amp	2.4	173Kg

Head Office: Unit 1/35 Rimfire Drive ,Hallam, Vic 3803. Phone: 1800 813 987 Fax: 03 8786 3572
Email: sales@austwiderentals.com websites: www.austwidesales.com.au or austwiderentals.com

SHAMROCK



by

Austwide
sales and rentals pty ltd

GFG:- GLASS DOOR 1/1 GASTRONORM BENCH REFRIGERATOR SERIES

Specification

- **Refrigeration System:** Fully balanced self contained condensing unit with forced draught evaporator.
- **Condensing unit:** Left hand side. Unit access from front thru hinged cover. Condenser fitted with filter for easy cleaning.
- **Refrigerant:** R134A.
- **Defrost:** Cyclic defrost, with no-cost, hot gas condensate disposal. Supplemented with timed defrosts via electronic controller.
- **Electronic Controller:** Italian designed, Dixell temperature controller and digital display. Includes high temp alarm.
- **Evaporator:** Epoxy coated to eliminate the potential of corrosion and thus future gas leaks.
- **Shelves:** 1 height adjustable, PVC coated, shelf per door. Fitted on stainless steel tray slides.
- **Operation conditions:** 0° to 5° C. at up to 32° C ambient.
- **Electrical:** Units come ready for

connection to 240volt 50hz 10amp GPO. Single Outlet. It is recommended that a dedicated GPO be used.

- **Construction:** Stainless Steel doors, front and sides provide a clean and dent resistant cabinet. Clear anodized aluminum back.
- **Inner:** Stainless Steel inner with inner tray designs with coved corners for easy cleaning.
- **Insulation:** 50mm high density polyurethane foamed in place, Blowing agent, Cyclopentane for CFC free Ozone protection and superior insulating properties. .
- **Door:** Double glazed Low E glass doors with aluminum frame. Hinging: Self closing with a dwell open position for easy loading and unloading.
- **Gasket:** PVC welded one piece magnetic gasket. Removable without the need for tools.
- **Castors:** 4 (2 x locking) x 75mm swivel heavy duty castors.
- **Warranty¹:** Austwide's Manufactur-

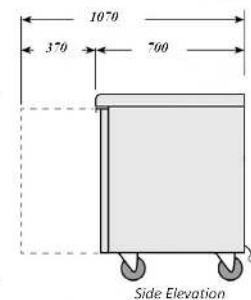
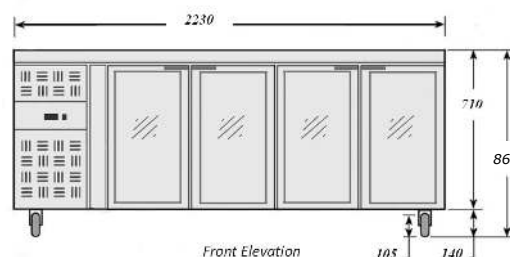
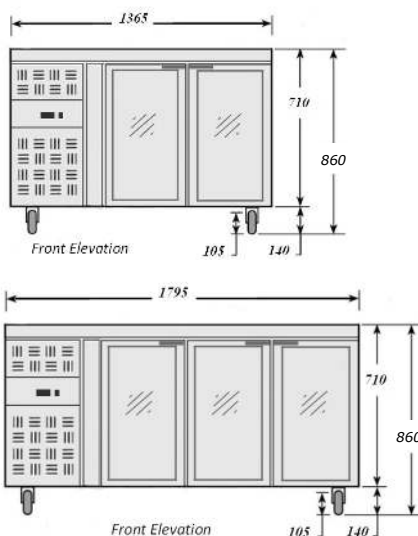
ers warranty 12 month parts and labour. See terms and conditions of sale for full description.

Options

- Available with solid doors.
- Additional Shelves
- Additional tray slides
- 90mm high Castor. Reduces overall height to 800mm

ELEVATIONS. (not to scale)

¹.terms and conditions apply. Visit web site for full details. www.austwidesales.com.au
Specifications are subject to change without notice. E&OE.



Head Office: Unit 1/35 Rimfire Drive ,Hallam, Vic 3803. Phone: 1800 813 987 Fax: 03 8786 3572
Email: sales@austwiderentals.com websites: www.austwidesales.com.au or austwiderentals.com

Revised:20140926



GFG:- SOLID DOOR 1/1 GASTRONORM BENCH REFRIGERATOR SERIES



GFG1365S



GFG1800S



GFG2200S

GFG Series

FEATURES:

- SHAMROCK 's GFG Glass Door Refrigerators are designed to accept 1/1 gastronorm trays.
- Operating Temperature 0° to +5° C. Climate Type N.
- Only requires one a standard power point (GPO):- 240V 50Hz 10 amp.
- Digital Temperature Display.
- 1 height adjustable shelf per door.
- Stainless steel fascia and outer sides and clear anodized aluminum outer back..
- Stainless Steel inner.
- Stainless Steel work top with bull nose front edge.
- Internal floor with coved corners allows for easy cleaning and sanitizing.
- Extra Large castors, for ease of cabinet movement.
- Stainless Steel Solid Doors, Designed with horizontal handle and self closing torsion bar hinging.

MAIN DATA

Specifications are subject to change without notice. E&OE.

Model	Doors	Volume (Gross lt)	Shelves	Width (mm)	Depth (mm)	Height (mm)	Voltage	Power Outlet	Cord Length	Shipping Weight
GFG1365S	2	314	2	1365	700	860	240v/50hz	10amp	2.4	113kg
GFG1800S	3	465	1	1795	700	860	240v/50hz	10amp	2.4	155kg
GFG2200S	4	616	1	2230	700	860	240v/50hz	10amp	2.4	173Kg

Head Office: Unit 1/35 Rimfire Drive ,Hallam, Vic 3803. Phone: 1800 813 987 Fax: 03 8786 3572
 Email: sales@austwiderentals.com websites: www.austwidesales.com.au or austwiderentals.com

SHAMROCK



by

Austwide
sales and rentals pty ltd

GFG:- SOLID DOOR 1/1 GASTRONORM BENCH REFRIGERATOR SERIES

Specification

- **Refrigeration System:** Fully balanced self contained condensing unit with forced draught evaporator.
- **Condensing unit:** Left hand side. Unit access from front thru hinged cover. Condenser fitted with filter for easy cleaning.
- **Refrigerant:** R134A.
- **Defrost:** Cyclic defrost, with no-cost, hot gas condensate disposal. Supplemented with timed defrosts via electronic controller.
- **Electronic Controller:** Italian designed, Dixell temperature controller and digital display. Includes high temp alarm.
- **Evaporator:** Epoxy coated to eliminate the potential of corrosion and thus future gas leaks.
- **Shelves:** 1 height adjustable, PVC coated, shelf per door. Fitted on stainless steel tray slides.
- **Operation conditions:** 0° to 5° C. at up to 32° C ambient.
- **Electrical:** Units come ready for

connection to 240volt 50hz 10amp GPO. Single Outlet. It is recommended that a dedicated GPO be used.

- **Construction:** Stainless Steel doors, front and sides provide a clean and dent resistant cabinet. Clear anodized aluminum back.
- **Inner:** Stainless Steel inner with inner tray designs with covered corners for easy cleaning.
- **Insulation:** 50mm high density polyurethane foamed in place, Blowing agent, Cyclopentane for CFC free Ozone protection and superior insulating properties. .
- **Door:** Double glazed Low E glass doors with aluminum frame. Hinging: Self closing with a dwell open position for easy loading and unloading.
- **Gasket:** PVC welded one piece magnetic gasket. Removable without the need for tools.
- **Castors:** 4 (2 x locking) x 75mm swivel heavy duty castors.
- **Warranty¹:** Austwide's Manufactur-

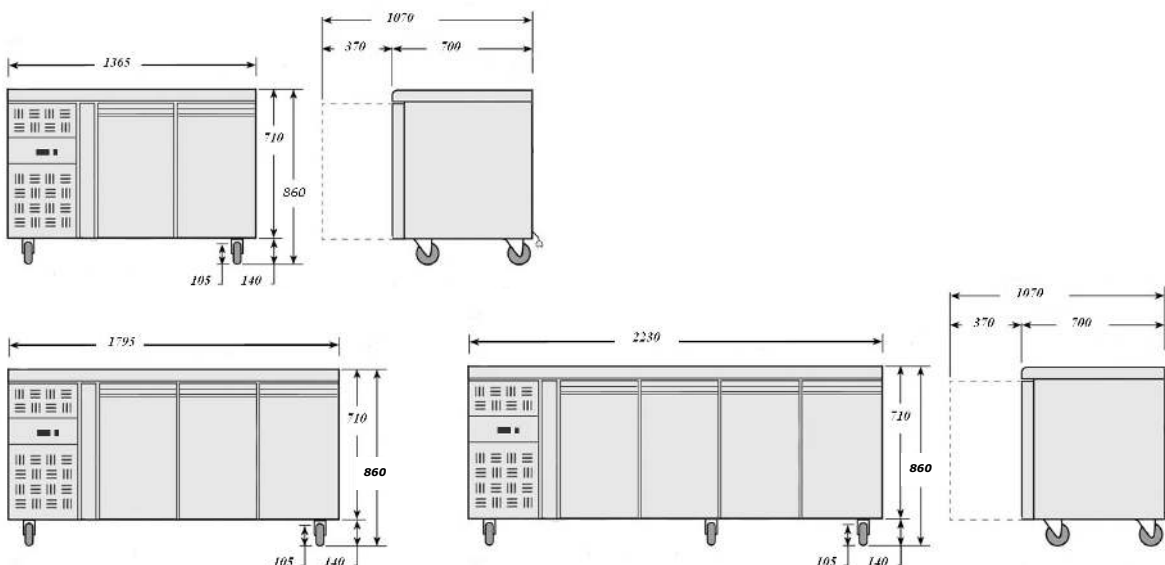
ers warranty 12 month parts and labour. See terms and conditions of sale for full description.

Options

- Available with glass doors.
- Additional Shelves
- Additional tray slides

ELEVATIONS. (not to scale)

¹.terms and conditions apply. Visit web site for full details. www.austwidesales.com.au
Specifications are subject to change without notice. E&OE.



Head Office: Unit 1/35 Rimfire Drive ,Hallam, Vic 3803. Phone: 1800 813 987 Fax: 03 8786 3572
Email: sales@austwiderentals.com websites: www.austwidesales.com.au or austwiderentals.com

UNDER COUNTER Glass Door_S Series: SGR9-1

FEATURES / BENEFITS

FRONT BREATHING

Our innovative, front breathing feature also allows this model to provide high efficiency in narrow spaces

HOT GAS CONDENSATE SYSTEM

Through SKIPIO's creative innovation, the condensate system surfaces have been specially treated to resist corrosion. This not only increases efficiency without the risk of refrigerant leakage from corrosion, but also prevents the overflow of condensate water.

SIDE MOUNT COMPRESSOR UNIT

By positioning the compressor on the side of the unit, refrigerators can now be serviced without being moved

EFFICIENT REFRIGERATION SYSTEM

SKIPIO Undercounter series refrigerators are designed with oversized and balanced (CFC Free R-134A) refrigeration systems. These include efficient evaporators and condensers for faster cooling and greater efficiency.

EXTERIOR & INTERIOR OF THE CABINET

SKIPIO Undercounter series boasts a stainless steel exterior (galvanized steel back and bottom). Interior is stainless steel floor with AL sides, back and AL door liners. It guarantees the utmost in cleanliness and long product life. It can add a touch of style to the most refined setting.

HIGH-DENSITY POLYURETHANE INSULATION

The entire cabinet structure and solid doors are foamed-in-place using high density, CFC free polyurethane insulation

ERGONOMICALLY DESIGNED DOORS

Customers' fatigue fades away with easy grip handles and doors that open effortlessly. These features along with self-closing doors make this the ultimate choice in customer convenience

MAGNETIC DOOR GASKETS

Magnetic door gaskets are of one piece construction, removable without tools for ease of cleaning and replacement.

ADJUSTABLE, HEAVY DUTY, PE (POLYETHYLENE) COATED WIRE SHELVES

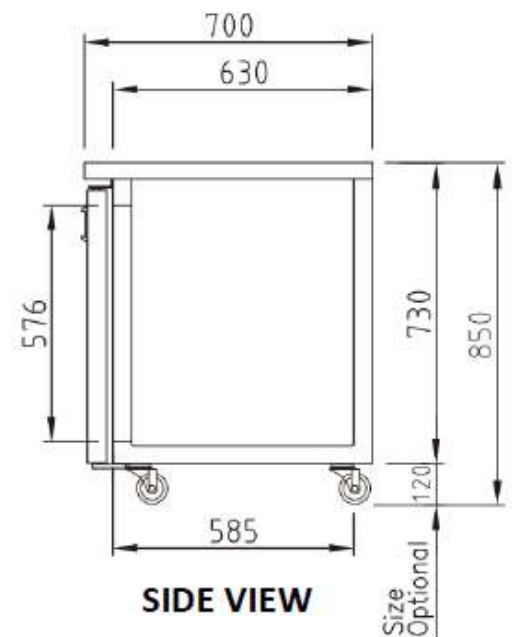
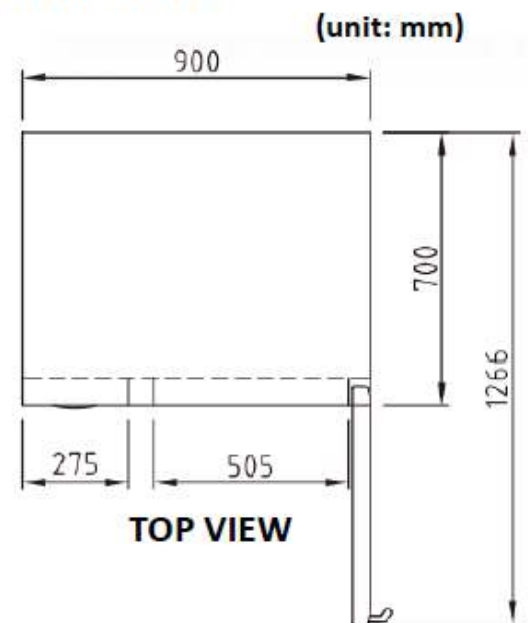


Model	Doors	Capacity (Liters)	Shelves	Compressor (HP)	Amps (A)	Net Weight (Kg)	L X D X H (mm)
SGR9-1	1	121	1	1/4	2.3	80	900 x 700(600) x 850

Model: SGR9-1

SPEC SHEET	SGR9-1
Classification	Refrigerator
Cabinet Dimension (WxDxH mm)	900x700(600)x850
Capacity (Liters)	121
Inner Temperature	1°C~8°C
Doors	1
Number of Shelves	1
Refrigent	R-134a
Compressor (Hp)	1/4
Cooling Type	Fan cooling type
Insulation Type	Polyurethane / Cyclopentane + CFC Free
Temperature Control Type	Digital
Amps (A)	2.3
Voltage (V/Hz/Ph)	240V 50Hz 1Ph
Power (W)	314
Weight (Kg)	80

PLAN VIEW



WARRANTY 2 YEARS
PARTS & LABOUR

UNDER COUNTER S Series: SUF15-2

FEATURES / BENEFITS

FRONT BREATHING

Our innovative, front breathing feature also allows this model to provide high efficiency in narrow spaces

HOT GAS CONDENSATE SYSTEM

Through SKIPIO's creative innovation, the condensate system surfaces have been specially treated to resist corrosion. This not only increases efficiency without the risk of refrigerant leakage from corrosion, but also prevents the overflow of condensate water.

SIDE MOUNT COMPRESSOR UNIT

By positioning the compressor on the side of the unit, refrigerators can now be serviced without being moved

EFFICIENT REFRIGERATION SYSTEM

SKIPIO Undercounter series refrigerators are designed with oversized and balanced (CFC Free R-134A) refrigeration systems. These include efficient evaporators and condensers for faster cooling and greater efficiency.

EXTERIOR & INTERIOR OF THE CABINET

SKIPIO Undercounter series boasts a stainless steel exterior (galvanized steel back and bottom). Interior is stainless steel floor with AL sides, back and AL door liners. It guarantees the utmost in cleanliness and long product life. It can add a touch of style to the most refined setting.

HIGH-DENSITY POLYURETHANE INSULATION

The entire cabinet structure and solid doors are foamed-in-place using high density, CFC free polyurethane insulation

ERGONOMICALLY DESIGNED DOORS

Customers' fatigue fades away with easy grip handles and doors that open effortlessly. These features along with self-closing doors make this the ultimate choice in customer convenience

MAGNETIC DOOR GASKETS

Magnetic door gaskets are of one piece construction, removable without tools for ease of cleaning and replacement.

ADJUSTABLE, HEAVY DUTY, PE (POLYETHYLENE) COATED WIRE SHELVES



Model	Doors	Capacity (Liters)	Shelves	Compressor (HP)	Amps (A)	Net Weight (Kg)	L X D X H (mm)
SUF15-2	2	425	2	3/4	3	93	1500 x 700(600) x 850

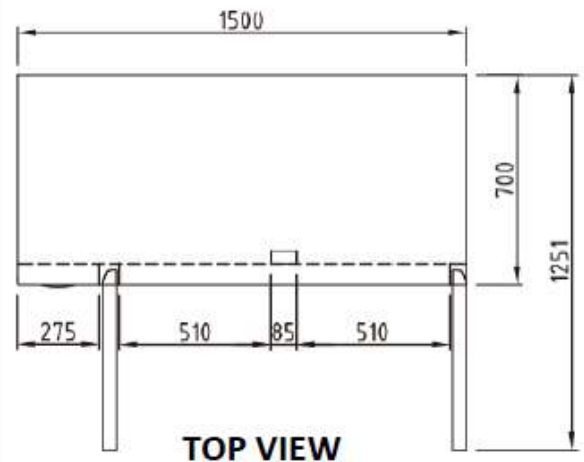
UNDER COUNTER S Series: SUF15-2

Model: SUF15-2

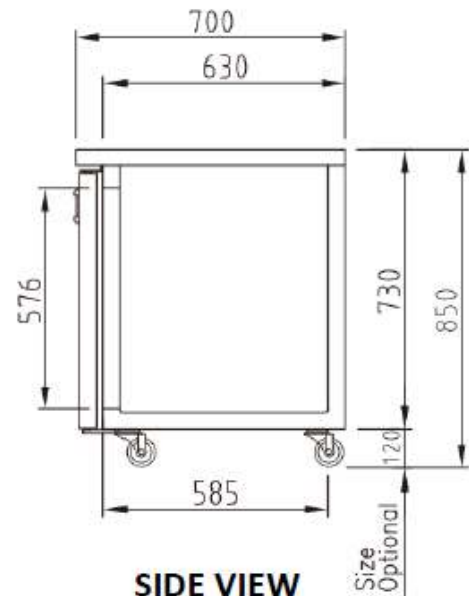
SPEC SHEET	SUF15-2
Classification	Freezer
Cabinet Dimension (WxDxH mm)	1500x700(600)x850
Capacity (Liters)	425
Inner Temperature	-21°C~-12°C
Doors	2
Number of Shelves	2
Refrigent	R-404a
Compressor (Hp)	3/4
Cooling Type	Fan cooling type
Insulation Type	Polyurethane / Cyclopentane + CFC Free
Temperature Control Type	Digital
Amps (A)	3
Voltage (V/Hz/Ph)	240V 50Hz 1Ph
Power (W)	613
Weight (Kg)	93

PLAN VIEW

(unit: mm)



TOP VIEW



SIDE VIEW

WARRANTY 2 YEARS
PARTS & LABOUR



AGB & AFB SERIES:- BENCH REFRIGERATOR & FREEZERS



AGB30-7L2: Refrigerator
AFB30-7L2: Freezer



AGB50-7L3: Refrigerator
AFB50-7L3: Freezer

Note: Photo Show cabinets fitted with optional legs.
Overall height on standard castor 880mm.

FEATURES:

- Temperature range
Fridge: +1° to +10° C @ 38°C ambient
Freezer: -18° to -22° C @ 38°C ambient
- Stainless steel series 340 exterior doors, fronts & Sides
- Stainless steel interior floor with coved corners
- Stucco aluminium back panel
- Recessed handles.
- Self closing hinged doors with 90° stay open feature
- LED digital temperature display
- PVC coated adjustable steel shelves
- Automatic defrost. Duration can be changed to suit environment.
- Removable door gasket to allow cleaning
- 60mm Energy-efficient polyurethane insulation.
- Utilizes environmentally friendly R-134A and R404A refrigerants.

MAIN DATA

Specifications are subject to change without notice. E&OE.

Model	Average Temp	Doors	Volume (Gross It)	Shelves	External Dimensions (mm)	Voltage	Power Outlet	Cord Length	Shipping Weight
AGB30-7L2	+2°C	2	318	2	1400w x 700d x 880h	240v/50hz	10amp	2.4	103kg
AFB30-7L2	-18°C	2	318	2	1400w x 700d x 880h	240v/50hz	10amp	2.4	123kg
AGB50-7L3	+2°C	3	495	3	1875w x 700d x 880h	240v/50hz	10amp	2.4	116kg
AFB50-7L3	-18°C	3	495	3	1875w x 700d x 880h	240v/50hz	10amp	2.4	136Kg

Head Office: Unit 1/35 Rimfire Drive ,Hallam, Vic 3803. Phone: 1800 813 987 Fax: 03 8786 3572

Email: sales@austwiderentals.com websites: www.austwidesales.com.au or austwiderentals.com



AGB & AFB SERIES:- BENCH REFRIGERATOR & FREEZERS

Specification

- **Refrigeration System:** Fully balanced self contained condensing unit with forced draught evaporator.
- **Condensing unit:** Right hand side. Unit access from front thru hinged cover. Ventilation on all three sides for cooler running
- **Refrigerant:** Environmentally friendly
Refrigerator - R134A.
Freezer - R404A
- **Defrost:**
Fridge:- Cyclic defrost. Supplemented with timed defrosts via electronic controller.
Freezer:- Electric Defrost. No of defrost variable to suit usage
- **Condensate Disposal:** No-cost, hot gas condensate disposal. No need for a tundish (drain).
- **Electronic Controller:** Italian designed, Carel temperature controller and digital display.
- **Shelves:** 1 height adjustable, PVC coated, shelf per door. Fitted on stainless steel tray slides.

- **Operation conditions:**
Fridge: 0° to 10° @38°C ambient.
Freezer : -18° to -22° @38°C ambient.
- **Electrical:** Units come ready for connection to 240volt 50hz 10amp GPO. Single Outlet. It is recommended that a dedicated GPO be used.
- **Construction:** Stainless Steel doors, front and sides provide a clean and dent resistant cabinet. Clear anodized aluminum back.
- **Inner:** Stainless Steel inner with inner tray designs with covered corners for easy cleaning.
- **Insulation:** 50mm high density polyurethane foamed in place, Blowing agent, cyclopentane for CFC free Ozone protection and superior insulating properties. .
- **Door:** Solid Stainless Steel door. Hinging: Self closing with a dwell open position for easy loading and unloading.
- **Gasket:** PVC welded one piece magnetic gasket. Removable without the need for tools.

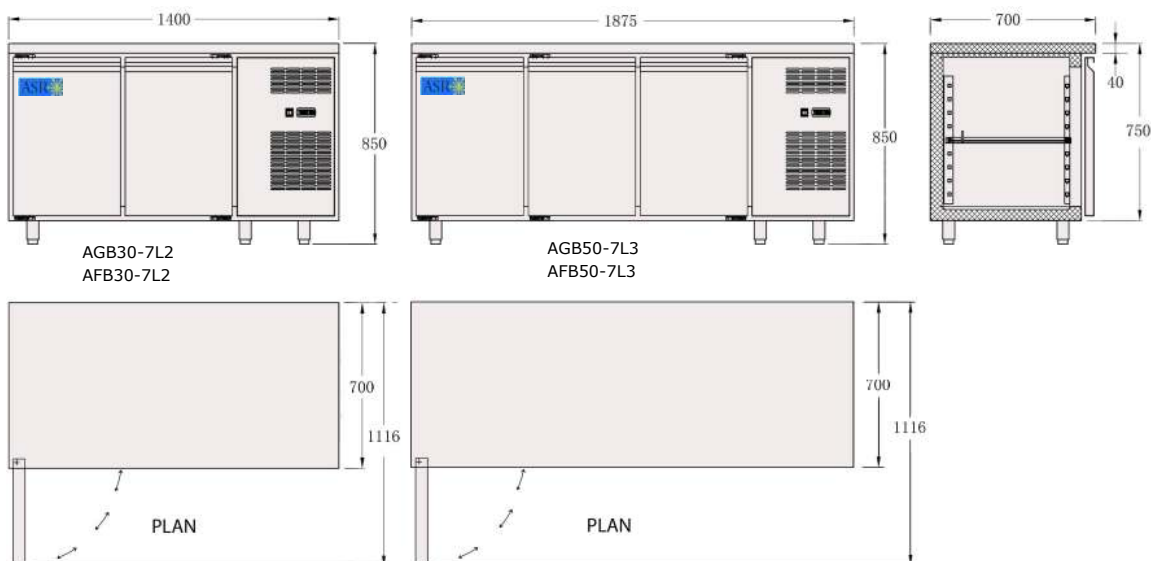
- **Castors:** 4 (2 x locking) swivel heavy duty castors.
- **Warranty¹:** Austwide's Manufacturer's warranty 12 month parts and labour. See terms and conditions of sale for full description.

Options

- Additional shelves.
- Additional tray slides.
- Legs replacing castors.
- Low profile castors.

ELEVATIONS. (not to scale)

¹.terms and conditions apply. Visit web site for full details. www.austwidesales.com.au
Specifications are subject to change without notice. E&OE.



Head Office: Unit 1/35 Rimfire Drive ,Hallam, Vic 3803. Phone: 1800 813 987 Fax: 03 8786 3572

Email: sales@austwiderentals.com websites: www.austwidesales.com.au or austwiderentals.com



ASR161:- UNDER COUNTER STORAGE REFRIGERATOR
 ASF121:- UNDER COUNTER STORAGE FREEZER



ASR161 Interior

ASR161 & ASF121

FEATURES:

- Operating Temperatures 0°~+8°C & -10° ~ -26°C @ 35° C.
- The ASR161 holds up to **30** x 2L milk bottles.
- Construction - 304 Stainless steel Exterior and Interior.
- Solid Lockable Door.
- Designed with recessed handle.
- Digital Temperature Display.
- ASR161 x 3 height adjustable shelves
 ASF121 x 2 selves with baskets to lower sections.
- ASR161 fan forced cross finned coil
 ASF121 Static evaporator.
- One piece door gasket, removable without tools for easy cleaning.
- Automatic energy efficient hot gas condensate disposal. No drainage required.
- Casters at rear, adjustable foot to front.

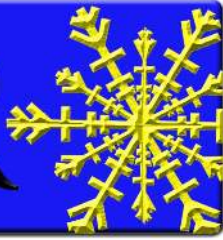
MAIN DATA

Specifications are subject to change without notice. E&OE.

Model	Doors	Net Volume (L)	Shelves	Dimensions (mm)	Amps (240v 50Hz)	Cord Length	Shipping Weight
ASR161	1	161	3	595w x 628d x 832h	0.4	2.4	51kg
ASF121	1	121	2 + 2 Baskets	595w x 628d x 832h	0.6	2.4	51kg

Head Office: Unit 1/35 Rimfire Drive ,Hallam, Vic 3803. Phone: 1800 813 987 Fax: 03 8786 3572
 Email: sales@austwiderentals.com websites: www.austwidesales.com.au or austwiderentals.com

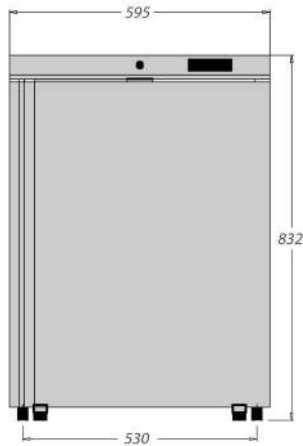
ASR



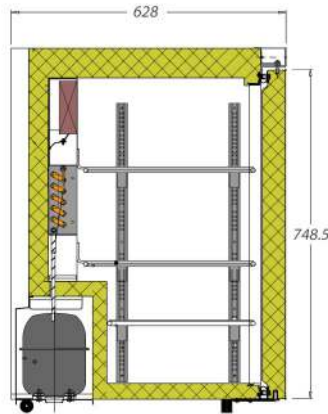
by

Austwide
sales and rentals pty ltd

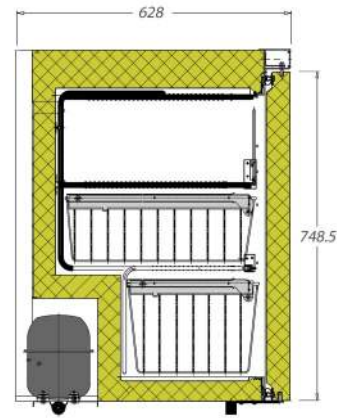
Model Numbers: ASR161 Refrigerator, ASF121 Freezer



Front Elevation



Side Sectional
Elevation ASR161



Side Sectional
Elevation ASF121

PRODUCT SPECIFICATIONS		
Model	BC-161A	BD-121
External Dimensions (mm)	595w x 628d x 832h	595w x 628d x 832h
Internal Dimensions	527w x 489d x 697h	489w x 482d x 667h
Shipping Dimensions	622w x 650d x 890h	622w x 650d x 890h
Net Volume (L)	161	121
Inner Temperature	0° ~ 10°C @ 35°C Ambient	-10° ~ -26°C @ 35°C Ambient
Doors	1	1
No. of Shelves	2 @ 500 x 420 1 @ 500 x 300	2 Baskets to lower sections
Shelf Loading (kg)	40	40
Refrigerant	R134A	
Compressor Manufacture	Embraco	
Cooling Type	Fan forced air (Ventilated),	Static
Defrost	Auto Defrost	Manual
Insulation Type	Polyurethane. Blowing agent cyclopentane	
Temperature Control Type	Solid state with digit display	
Amps (A) 240V/50hz	0.4	0.6
Net Weight (kg)	51	51

Head Office: Unit 1/35 Rimfire Drive ,Hallam, Vic 3803. Phone: 1800 813 987 Fax: 03 8786 3572
Email: sales@austwiderentals.com websites: www.austwidesales.com.au or austwiderentals.com

LGRT Series:- Side Mount Under Counter Solid Door Refrigerators



LGRT-1B-900



LNRT-2B-1200



LNRT-2B-1500



LNRT-3B-1800

FEATURES:

High quality stainless steel interior and exterior that helps minimize dents, scratches and rust and offers long-life durability and easy maintenance.

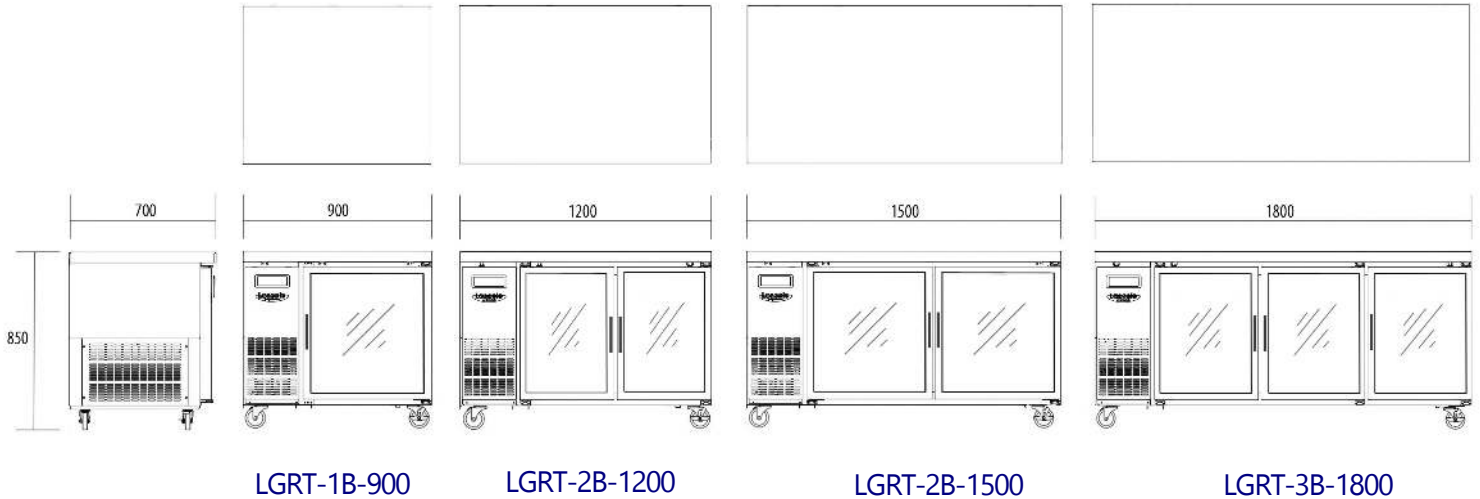
- Only requires one a standard power point (GPO):- 240V 50Hz 10 amp.
- Digital Temperature Display.
- 1 height adjustable shelves per door. Individual.
- Stainless Steel internal floor with covered corners allows for easy cleaning and sanitizing.
- 50mm high pressure injected polyurethane foam.
- Extra Large castors, for ease of cabinet movement.
- Double Glazed Glass Doors with Durable "D" handle. Self closing with dwell open design for ease of use.
- Heavy duty one piece gasket, replaceable without tools.
- Easy access to the condensing unit from the front and the side.
- Automatic condensate disposal. No drainage required.

MAIN DATA

Specifications are subject to change without notice. E&OE.

Model	Doors	Volume (Gross lts)	Shelves	Dimensions W x D x H (mm)	Voltage	Amps	Cord Length	Shipping Weight
LGRT-1B-900	1	170	1	900 x 700 x 850	220v/50hz	1.54	2.4	71kg
LGRT-2B-1200	2	270	2	1200 x 700 x 850	220v/50hz	2.25	2.4	90kg
LGRT-2B-1500	2	369	2	1500 x 700 x 850	220v/50hz	2.4	2.4	100kg
LGRT-3B-1800	3	468	3	1800 x 700 x 850	220v/50hz	3.71	2.4	125kg

MODEL ELEVATIONS



PRODUCT SPECIFICATIONS

Model	LGRT-1B-900	LGRT-2B-1200	LGRT-2B-1500	LGRT-3B-1800
External Dimensions (mm)	900w x 700d x 850h	1200w x 700d x 850h	1500w x 700d x 850h	1800w x 700d x 850h
Shipping Dimensions	910w x 717d x 905h	1220w x 717d x 905h	1520w x 717d x 905h	1820w x 717d x 905h
Net Weight (kg)	70	90	100	125
Gross Weight (kg)	82	104	115	146
Net Volume (L)	170	270	369	468
Inner Temperature	0° ~ 7°C @ 40°C Ambient			
Doors	1	2	2	3
No. of Shelves	1	2	2	3
Refrigerant	R134A			
Compressor (HP)	1/4 hp	1/4hp	1/4hp	1/4hp
Cooling Type	Fan Forced	Fan Forced	Fan Forced	Fan Forced
Defrost	Auto with timer			
Insulation Type	Polyurethane. Blowing agent Cyclopentane			
Temperature Control Type	Solid state with digit display			
Rated Input (W)@ 220V/50hz	200	200	220	220
No. Of Casters	4 x Swivel (2 Braking)			

Specifications are subject to change without notice. E&OE.

LNFT Series:- Side Mount Under Counter Solid Door Freezer



LNFT-1B-900



LNFT-2B-1200



LNFT-2B-1500

FEATURES:

High quality stainless steel interior and exterior that helps minimize dents, scratches and rust and offers long-life durability and easy maintenance.

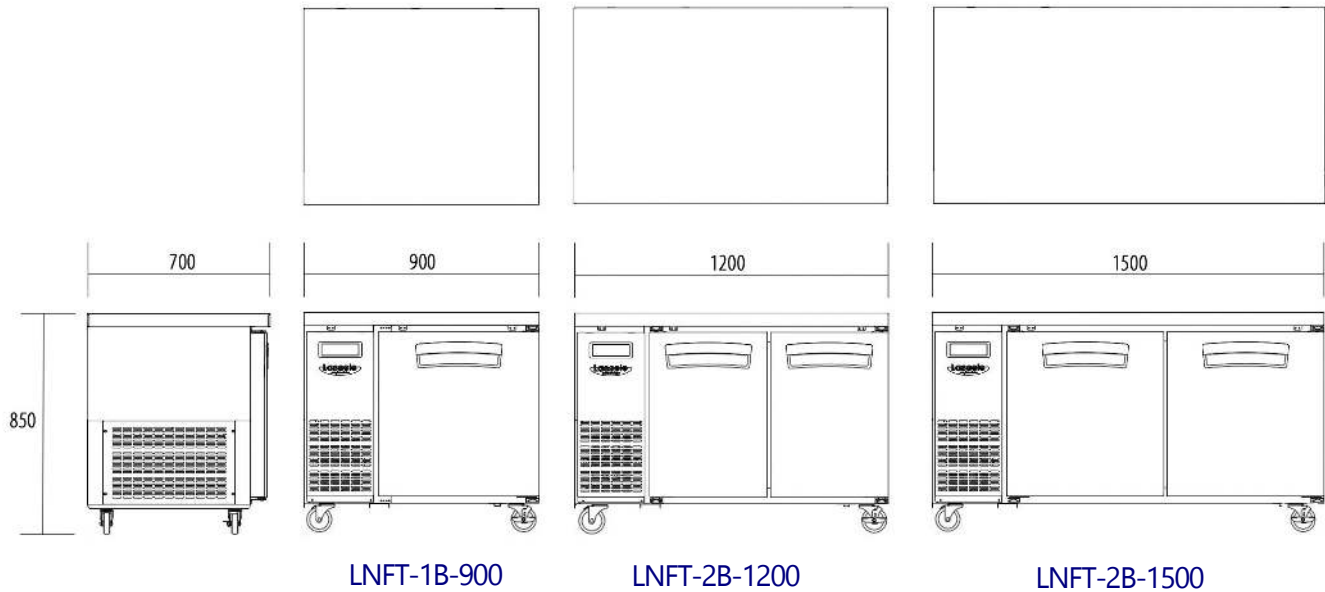
- Only requires one a standard power point (GPO):- 240V 50Hz 10 amp.
- Digital Temperature Display.
- 1 height adjustable shelves per door. Individual.
- Stainless Steel internal floor with covered corners allows for easy cleaning and sanitizing.
- 50mm high pressure injected poly-urethane foam.
- Extra Large castors, for ease of cabinet movement.
- Solid Door, Designed with ergonomic recessed handle. Self closing with dwell open design for ease of use.
- Heavy duty one piece gasket, replaceable without tools.
- Easy access to the condensing unit from the front and the side.
- Automatic condensate disposal. No drainage required.

MAIN DATA

Specifications are subject to change without notice. E&OE.

Model	Doors	Volume (Gross lts)	Shelves	Dimensions W x D x H (mm)	Voltage	Amps	Cord Length	Shipping Weight
LNFT-1B-900	1	213	1	900 x 700 x 850	220v/50hz	1.54	2.4	71kg
LNFT-2B-1200	2	300	2	1200 x 700 x 850	220v/50hz	2.25	2.4	104kg
LNFT-2B-1500	2	410	2	1500 x 700*x 850	220v/50hz	2.4	2.4	144kg
LNFT-3B-1800	3	521	3	1800x 700 x 850	220v/50hz	3.71	2.4	169kg

MODEL ELEVATIONS



LNFT-1B-900

LNFT-2B-1200

LNFT-2B-1500

PRODUCT SPECIFICATIONS

Model	LNFT-1B-900	LNFT-2B-1200	LNFT-2B-1500
External Dimensions (mm)	900w x 700d x 850h	1200w x 700d x 850h	1500w x 700d x 850h
Shipping Dimensions	910w x 717d x 901h	1220w x 717d x 901h	1520w x 717d x 901h
Net Weight (kg)	67	82	92
Gross Weight (kg)	69	84	94
Net Volume (L)	213	300	411
Inner Temperature	-24° ~ -18°C @ 40°C Ambient		
Doors	1	2	2
No. of Shelves	1	2	2
Refrigerant	R134a		R404a
Compressor (HP)	1/3hp	1/3hp	1/2hp
Cooling Type	Fan Forced	Fan Forced	Fan Forced
Defrost	Auto with timer		
Insulation Type	Polyurethane. Blowing agent Cyclopentane		
Temperature Control Type	Solid state with digit display		
Rated Input (W)@ 220V/50hz	260	300	450
No. Of Casters	4 x Swivel (2 Braking)		

Specifications are subject to change without notice. E&OE.