

Diamond Star

Diamond Star Upright Cabinet

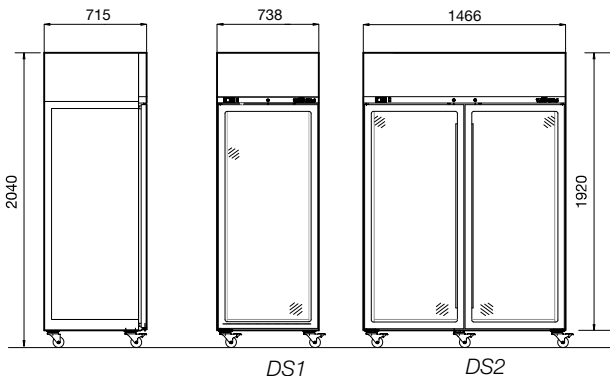


Features:

- Designed for 43°C ambient environment (38°C glass door freezer models)
- Adjustable electronic controller with digital temperature display
- High efficiency, long life LED strip lighting (lights are optional on solid door models)
- 100% CFC free polyurethane foam for greater insulation properties and added strength
- Top mounted self contained cabinet
- Auto defrost
- Optimised ducted air flow system
- Waste heat recovery vaporiser
- Large storage capacity
- Four adjustable plastic coated shelves/door
- Triple glazed heated glass door standard on all freezers
- Split shelves on two door models
- Self closing doors with easy to clean handles
- Hermetic compressor

Model	DS1	DS2
Capacity	520 litres	1100 litres
Finish: White Colorbond® interior and exterior with stainless steel internal floor*		
Refrigerator Glass Door +1°/+4° kg-unpacked / Amps-run / Wr-refrigeration Watts (nom.)	HDS1GDCB 160/3.8/620	HDS2GDCB 250/4.8/940
Refrigerator Solid Door +1°/+4° kg-unpacked / Amps-run / Wr-refrigeration Watts (nom.)	HDS1SDCB 160/3.8/440	HDS2SDCB 250/4.7/630
Freezer Glass Door -18°/-22° kg-unpacked / Amps-run / Wr-refrigeration Watts (nom.)	LDS1GDCB 160/4.3/1050	LDS2GDCB 250/9.2/1650
Freezer Solid Door -18°/-22° kg-unpacked / Amps-run / Wr-refrigeration Watts (nom.)	LDS1SDCB 160/3.3/580	LDS2SDCB 250/7.6/1100
Finish: Stainless Steel interior and exterior*		
Refrigerator Glass Door +1°/+4° kg-unpacked / Amps-run / Wr-refrigeration Watts (nom.)	HDS1GDSS 160/3.8/620	HDS2GDSS 250/4.8/940
Refrigerator Solid Door +1°/+4° kg-unpacked / Amps-run / Wr-refrigeration Watts (nom.)	HDS1SDSS 160/3.8/440	HDS2SDSS 250/4.7/630
Freezer Glass Door -18°/-22° kg-unpacked / Amps-run / Wr-refrigeration Watts (nom.)	LDS1GDSS 160/4.3/1050	LDS2GDSS 250/9.2/1650
Freezer Solid Door -18°/-22° kg-unpacked / Amps-run / Wr-refrigeration Watts (nom.)	LDS1SDSS 160/3.3/580	LDS2SDSS 250/7.6/1100

*Refer notes page 15



Options (see page 15):



Gas: Self-contained fridge R134a@-5C SST
 Self-contained freezer R404a@-30C SST
 Remote units R404a (others available)
 Electrical lead length 1.5m min. 240V 50Hz
 Heat rejection self-contained units: Fridge 1.4xWr, Freezer 1.6xWr

Garnet 2/1 Gastronorm Upright Cabinet

Features:

- Designed for 43°C ambient environment
- Adjustable electronic controller with digital temperature display
- Four 2/1 Gn plastic coated shelves/door
- Accommodates 2/1 gastronorm pans on shelves or dedicated anti tilt tray slides
- Top mounted self contained cabinet
- Auto defrost
- Waste heat recovery vaporiser
- Coved internal liners
- Cylindrical locks fitted
- Self closing doors with easy to clean handles
- Swivel and brake castors
- Hermetique compressor
- Coolsmart energy efficient controller

Garnet



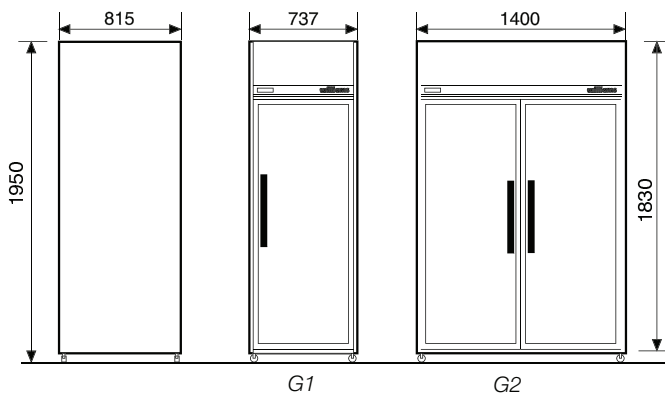
Foodservice Uprights

Model	G1	G2
Capacity	610 litre	1270 litre
Finish – Stainless steel interior & exterior*		
Refrigerator Solid door +1°/+4° kg-unpacked / Amps-run / Wr-refrigeration Watts (nom.)	HG1SDSS 170/3.8/470	HG2SDSS 220/5.3/670
Freezer Solid Door -18°/-22° kg-unpacked / Amps-run / Wr-refrigeration Watts (nom.)	LG1SDSS 170/4.3/630	LG2SDSS 220/5.4/900
Dual Temperature Solid Door H +1°/+4°/L -18°/-22° kg-unpacked / Amps-run / Wr-refrigeration Watts (nom.)	HLG1SDSS 180/6.5/310-400	HLG2SDSS 220/8.0/450-600

*Refer notes page 8

Gas: Self-contained fridge R134a@-5C SST
 Self-contained freezer R404a@-30C SST
 Remote units R404a (others available)
 Electrical lead length 1.5m min. 240V 50Hz
 Heat rejection self-contained units: Fridge 1.4xWr, Freezer 1.6xWr

Options (see page 8):



Prices do not include GST. Prices and specifications are subject to change without notice.

www.williamsref.com.au



Pearl Star Upright Cabinet

Features:

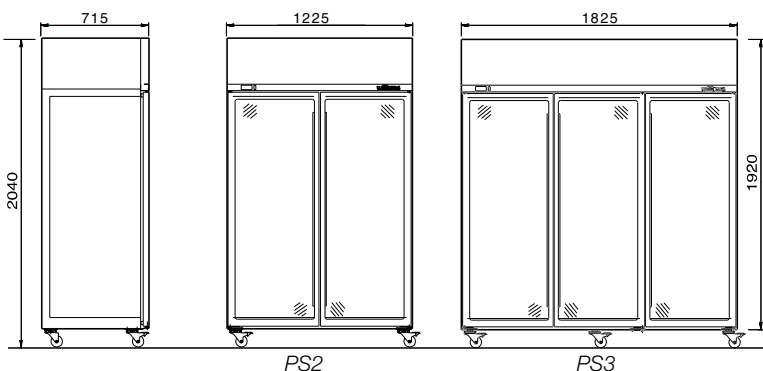
- Designed for 43°C ambient environment (38°C glass door freezer models)
- Adjustable electronic controller with digital temperature display
- High efficiency, long life LED strip lighting (lights are optional on solid door models)
- 100% CFC free polyurethane foam for greater insulation properties and added strength
- Top mounted self contained cabinet
- Auto defrost
- Optimised ducted air flow system
- Waste heat recovery vaporiser
- Large storage capacity
- Four adjustable plastic coated shelves/door
- Triple glazed heated glass door standard on all freezers
- Self closing doors with easy to clean handles
- Hermetique compressor

Pearl Star



Model	PS2	PS3
Capacity	950 litre	1510 litre
Finish: White Colorbond® interior and exterior with stainless steel internal floor*		
Refrigerator Glass Door +1°/+4° kg-unpacked / Amps-run / Wr-refrigeration Watts (nom.)	HPS2GDCB 220/4.8/850	HPS3GDCB 290/5.0/1120
Refrigerator Solid Door +1°/+4° kg-unpacked / Amps-run / Wr-refrigeration Watts (nom.)	HPS2SDCB 220/4.7/580	HPS3SDCB 290/4.9/700
Freezer Glass Door -18°/-22° kg-unpacked / Amps-run / Wr-refrigeration Watts (nom.)	LPS2GDCB 220/9.0/1480	N/A
Freezer Solid Door -18°/-22° kg-unpacked / Amps-run / Wr-refrigeration Watts (nom.)	LPS2SDCB 220/7.3/950	LPS3SDCB 290/8.0/1550
Finish: Stainless Steel interior and exterior*		
Refrigerator Glass Door +1°/+4° kg-unpacked / Amps-run / Wr-refrigeration Watts (nom.)	HPS2GDSS 220/4.8/850	HPS3GDSS 290/5.0/1120
Refrigerator Solid Door +1°/+4° kg-unpacked / Amps-run / Wr-refrigeration Watts (nom.)	HPS2SDSS 220/4.7/580	HPS3SDSS 290/4.9/700
Freezer Glass Door -18°/-22° kg-unpacked / Amps-run / Wr-refrigeration Watts (nom.)	LPS2GDSS 220/9.0/1480	N/A
Freezer Solid Door -18°/-22° kg-unpacked / Amps-run / Wr-refrigeration Watts (nom.)	LPS2SDSS 220/7.3/950	LPS3SDSS 290/8.0/1550

*Refer notes page 15



Options (see page 15):



Gas: Self-contained fridge R134a@-5C SST
 Self-contained freezer R404a@-30C SST
 Remote units R404a (others available)
 Electrical lead length 1.5m min. 240V 50Hz
 Heat rejection self-contained units: Fridge 1.4xWr, Freezer 1.6xWr

Quartz Star

Quartz Star Upright Cabinet **Bottom Mounted**



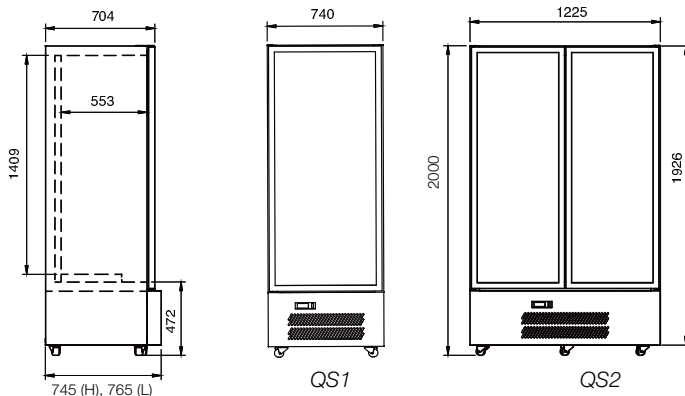
Features:

- Designed for 43°C ambient environment (38°C glass door freezer models)
- Adjustable electronic controller with digital temperature display
- High efficiency, long life LED strip lighting (lights are optional on solid door models)
- 100% CFC free polyurethane foam for greater insulation properties and added strength
- Self contained cabinet with warm air from condenser blown up the face of door to reduce condensation.
- Bottom mounted removable cassette system
- Auto defrost utilising waste heat recovery vaporiser
- Optimised ducted air flow system
- Four adjustable plastic coated shelves/door
- Triple glazed doors for higher efficiency and reduced condensation
- Triple glazed heated glass door standard on all freezers
- Hermetic compressor

Model	QS1	QS2
Capacity	500 litres	900 litres
Finish: White Colorbond® interior and exterior with stainless steel internal floor*		
Refrigerator Glass Door +1°/+4° kg-unpacked / Amps-run / Wr-refrigeration Watts (nom.)	HQS1GDCB 160/3.8/620	HQS2GDCB 230/4.6/760
Refrigerator Solid Door +1°/+4° kg-unpacked / Amps-run / Wr-refrigeration Watts (nom.)	HQS1SDCB 160/3.8/620	HQS2SDCB 230/4.6/760
Freezer Glass Door -18°/-22° kg-unpacked / Amps-run / Wr-refrigeration Watts (nom.)	LQS1GDCB	LQS2GDCB
Freezer Solid Door -18°/-22° kg-unpacked / Amps-run / Wr-refrigeration Watts (nom.)	LQS1SDCB	LQS2SDCB
Finish: Stainless Steel interior and exterior*		
Refrigerator Glass Door +1°/+4° kg-unpacked / Amps-run / Wr-refrigeration Watts (nom.)	HQS1GDSS 160/3.8/620	HQS2GDSS 230/4.6/760
Refrigerator Solid Door +1°/+4° kg-unpacked / Amps-run / Wr-refrigeration Watts (nom.)	HQS1SDSS 160/3.8/620	HQS2SDSS 230/4.6/760
Freezer Glass Door -18°/-22° kg-unpacked / Amps-run / Wr-refrigeration Watts (nom.)	LQS1GDSS	LQS2GDSS
Freezer Solid Door -18°/-22° kg-unpacked / Amps-run / Wr-refrigeration Watts (nom.)	LQS1SDSS	LQS2SDSS

*Refer notes page 15

Options (see page 15):



Gas: Self-contained fridge R134a@-5C SST
 Self-contained freezer R404a@-30C SST
 Remote units R404a (others available)
 Electrical lead length 1.5m min. 240V 50Hz
 Heat rejection self-contained units: Fridge 1.4xWr, Freezer 1.6xWr