

GARLAND GF24 SERIES

600mm 4 BURNER RANGE WITH SPACE SAVER OVEN

Garland Restaurant Series Gas 4 burner, 1 oven range. Stainless Steel front, sides and backguard. Star-Fire Burners for even cooking. Cast Iron Burners and trivets for better heat retention. 2 Piece burners easy to remove and clean. Grate design allows pots to slide easily across. Protected Pilot light and Flame Failure as standard. Large 686mm deep work surface, fits four 300mm (12") pots easily. Large 127mm front "plate" rail. Large easy-to-use control knobs. Premium 15mm Griddle with powerful cast iron H burners for even heat. Griddle standard to right hand side (can be specified left). Spark ignition standard for all concealed burners. Available in 4 burner, 2 burner + griddle, or full griddle configurations. Deep oven accepts full size sheet pans. Premium Oven with cast iron H Burner for even heat. Strong adjustable oven door



STANDARD FEATURES

- Stainless Steel 127mm Front Rail
- 686mm Deep Work Surface
- 27.4mJ "Star Fire" Cast Iron open burners
- 15mm thick machine polished steel grill plate
- Manual ignition for all open burners
- 3/4" Gas Connection
- 33mJ Cast Iron "H" Burner for Oven
- Oven Dimensions 508W x 660D x 330H
- Two oven racks included as standard

OPTIONAL FEATURES

- Additional Oven racks
- Non levelling castors
- 300mm "Hot Top"

- Stainless Steel front, sides and backguard
- 300mm stamped drip trays w/dimpled bottom
- 19mJ Cast Iron "H" burners for griddle
- Piezo ignition for all concealed burners
- Gas regulator
- 660mm Deep Ovens
- 152mm Adjustable stainless steel legs
- Available in Natural or LP Gas

- Flanged deck mount legs
- Grooved Griddle in 1/2 or full plate section widths
- Electronic ignition

SPECIFICATIONS ARE SUBJECT TO CHANGE WITHOUT NOTICE.

From the world of Comcater!

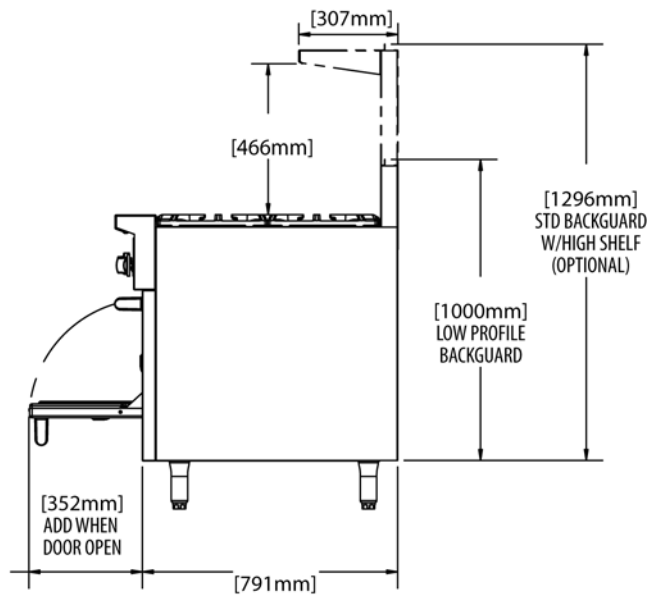
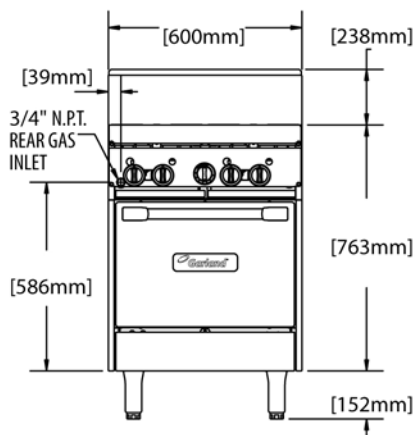
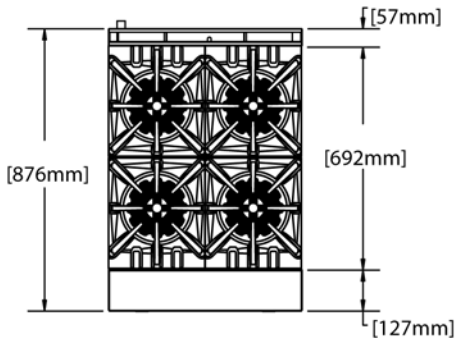
National Head Office
156 Swann Drive
Derrimut VIC 3030
Tel: +61 3 8369 4600
Fax: +61 3 8369 4695

Melbourne
96-100 Tope Street,
South Melbourne VIC 3205
Tel: +61 3 8369 4600
Fax: +61 2 8699 1299

Sydney
20/4 Avenue of the Americas
Newington, NSW 2127
Tel: +61 2 9748 3000
Fax: +61 2 9 648 4762

Brisbane
1/62 Borthwick Avenue
Murarrie QLD 4172
Tel: +61 7 3399 3122
Fax: +61 7 3399 5311

GARLAND GF24 SERIES



DIMENSIONS

External Dimension: 600W x 876D x 915 mm

Oven Interior : 508W x 660D x 330H mm

TECHNICAL DATA

Gas Type Natural or LP

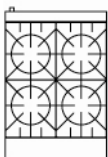
Total Energy Rating
 143mj (GF24-L)
 107mj (GF24-2G12L)
 72mj (GF24-G24L)

Burner Ratings (Natural) 27mj (Open Burner)
 19mj (Griddle/Hotplate)
 33mj (Oven)

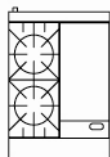
Burner Ratings (LP) 27mj (Open Burner)
 19mj (Griddle/Hotplate)
 29mj (Oven)

AGA Approval Number 7455

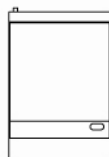
GF24-4L



GF24-2G12L



GF24-G24L



SPECIFICATIONS ARE SUBJECT TO CHANGE WITHOUT NOTICE.